

# WHITELEGG MACHINES

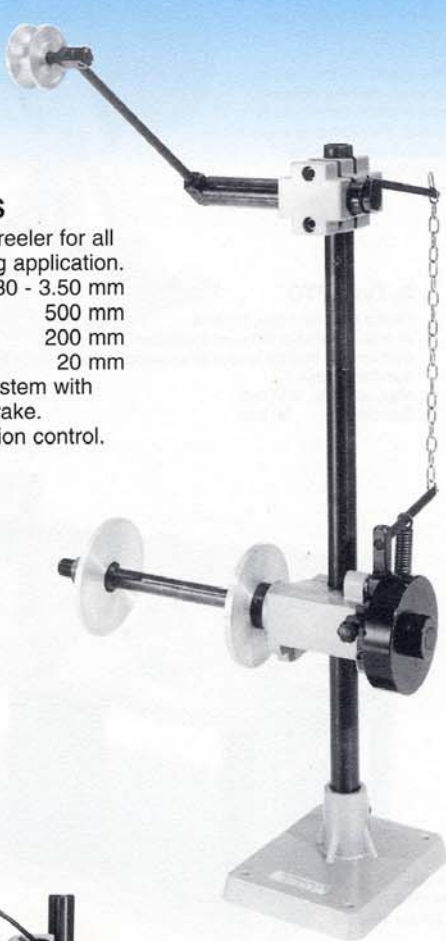
ELECTRIC MOTOR REPAIR DIVISION

COIL WINDING MACHINES

## WIRE TENSIONERS and DE-REELERS

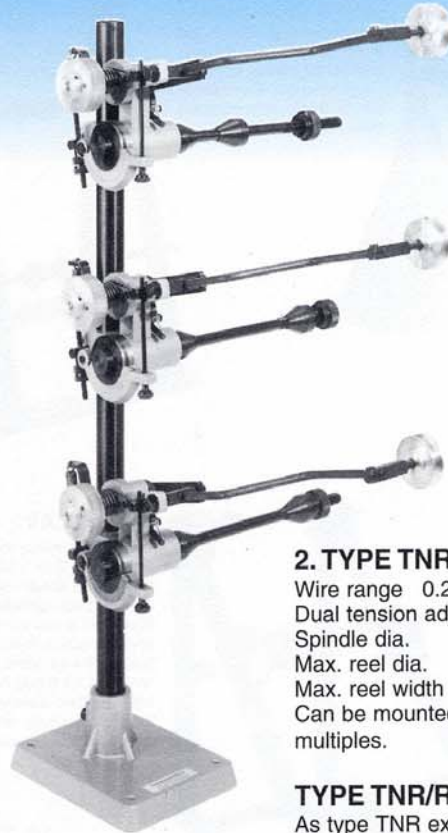
### 1. TYPE TGS

Heavy duty de-reeler for all types of winding application.  
Wire range 0.30 - 3.50 mm  
Max. reel dia. 500 mm  
Max. reel width 200 mm  
Spindle dia. 20 mm  
Dual tension system with internal shoe brake.  
Very good tension control.



### 2. TYPE TNR

Wire range 0.20 - 1.50 mm  
Dual tension adjustment.  
Spindle dia. 12 mm  
Max. reel dia. 400 mm  
Max. reel width 200 mm  
Can be mounted singly or in multiples.



### TYPE TNR/R

As type TNR except wire range 0.30 - 2.00 mm

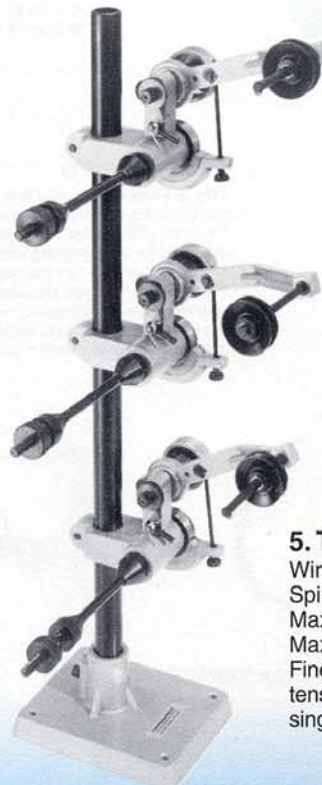
### 3. TYPE TC/R

Wire range 0.20 - 1.00 mm  
Max. reel dia. 200 mm  
Very fine tension adjustment.  
Reel container sizes:  
180 mm dia. for reels DIN 160  
200 mm dia. for reels DIN 180  
220 mm dia. for reels DIN 200



### 4. TYPE TC

Similar to TC/R but for thinner wires.  
Wire range 0.05 - 0.20 mm  
Max. reel dia. 200 mm  
May be used with any of the three container sizes listed.



### 5. TYPE TN

Wire range 0.10 - 0.40 mm  
Spindle dia. 10 mm  
Max. reel dia. 300 mm  
Max. reel width 150 mm  
Fine wire de-reeler with excellent tension control - may be mounted singly or in multiples (as shown).



WHITELEGG MACHINES LTD

PRICE LIST E 00A

# WHITELEGG MACHINES

ELECTRIC MOTOR REPAIR DIVISION

COIL WINDING MACHINES



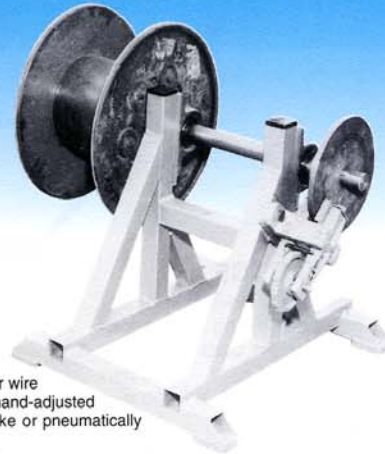
## 6. Type T1

This de-reeler is for use with wire drums, containers or large type V reels. It has a spring tensioned felt pad and an adjustable braked capstan wheel. Compact - can be mounted in multiples. Wire range 0.50 - 4.00 mm



## 7. Type WR

Simple and robust unit. Ideal for electric motor coil winding applications. Designed to hold three reels of wire up to 300 mm diameter, thereby allowing three wires to be wound in parallel. The spindles are provided with a simple spring loaded friction brake.



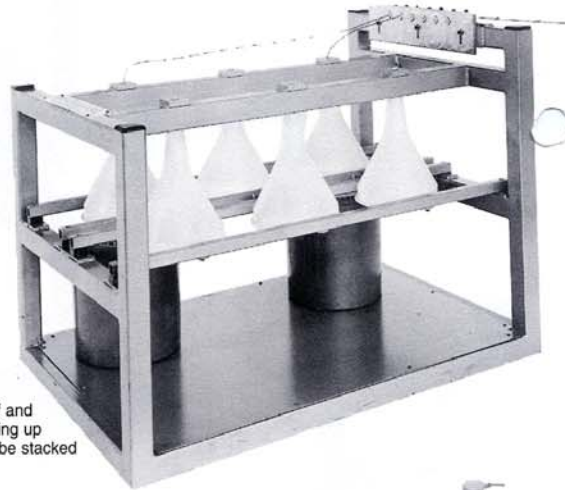
## 8. Type FTD

Heavy duty de-reeler for wire or strip. Available with hand-adjusted permanent friction brake or pneumatically operated brake. Max. reel dia. 600 mm Spindle dia. 30 mm



## 9. Type CAV

This type is made in three sizes for 1, 2 or 3 spindles. Type shown is CAV-3. Each spindle is fitted with a reel drive peg and adjustable friction brake. The spindles are removed for fitting to the reel and then lowered into the cup bearings, which have a locking device.



## 10. Type ST-6

Designed to take 6 x V60 reels with overend take-off and tensioning device for winding up to 6 wires in parallel. Can be stacked to give 12 reel capacity.

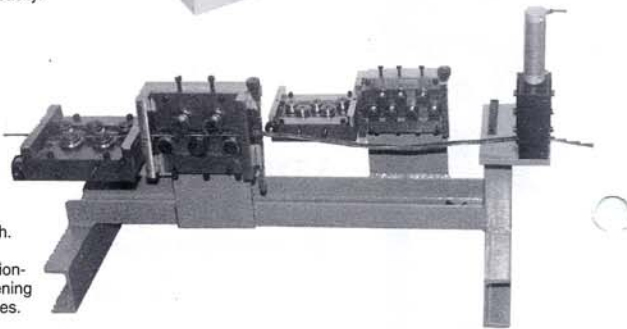


## 12. Type HW/12T

Heavy duty multiple wire or strip tensioning unit giving constant tension. For straightening up to 12 wires or strips in parallel, either in the horizontal or vertical plane. Hydraulically operated cylinder supplied from an air/oil intensifier unit. Fitted with remote tension control and release for fitting to the coil winding machine.

## 11. Type RS/PW

This is a heavy duty wire and strip straightening and tensioning stand. Two twin plane roller straighteners are fitted for straightening wire/strip between 2 and 10 mm diameter/width. Fitted with a PW type pneumatically operated wire straightening and tensioning unit. Especially useful for straightening strip which is malformed in both planes.



## 13. Type HW/12T

Heavy duty tensioner as item 11, but with a tensioner fitted to a free running saddle which automatically follows the line of the strip as it is being wound on the transformer.

## 14. Type PW/8T

Powerful tensioner for giving constant tension to wire or strip. Pneumatic cylinder tensions polished pads between which the wire passes. Tensions 4 strips up to 15 mm wide or 8 strips up to 8 mm wide. Larger versions available. Ideal for high and constant tension with transformers or high voltage electric motor loops.



PRICE LIST E 00A